

QPD2-2000-2400-30-N

2-Way, 2~2.4GHz

Features:

- * Small Size
- * Low Insertion Loss

Applications:

- * Amplifiers
- * Mixers
- * Antennas
- * Laboratory Test

Electrical

Frequency:	2~2.4GHz
Insertion Loss:	0.3dB max.
Input VSWR:	1.25 max.
Output VSWR:	1.2 max.
Isolation:	20dB min.
Amplitude Balance:	0.2dB max.
Phase Balance:	±2°
Impedance:	50Ω
Average Power:	30W max. 2W max. as combiner

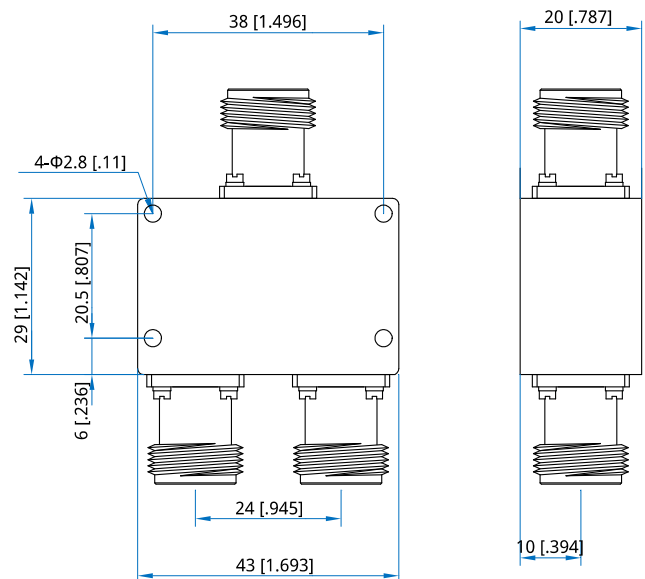
Mechanical

Size*1:	43*29*20mm 1.693*1.142*0.787in
Weight:	110g
Connectors:	N Female
Mounting:	4-Φ2.8mm through-hole

[1] Exclude connectors.

Environmental

Operation Temperature:	-45~+85°C
------------------------	-----------

Outline Drawings


Unit: mm [in]

Tolerance: ±0.5mm [±0.02in]

How To Order

QPD2-2000-2400-30-N

Customization is available upon request.